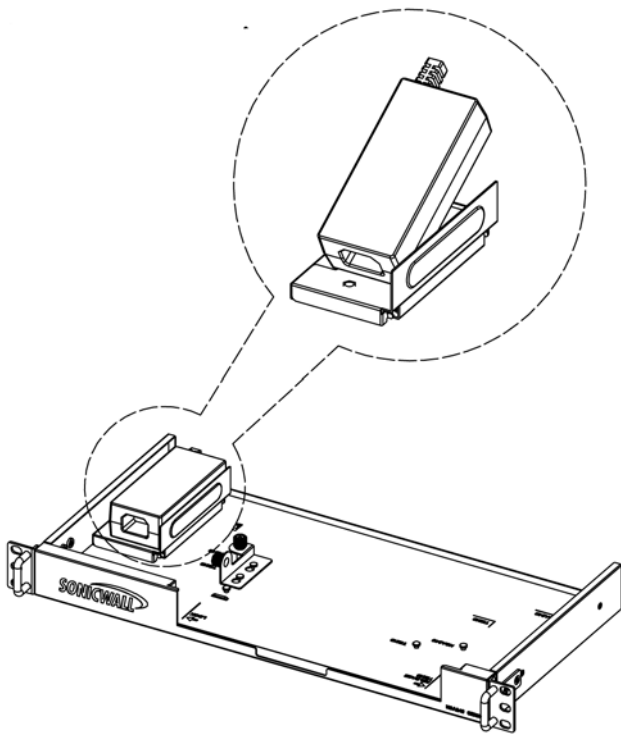


Installation Guide

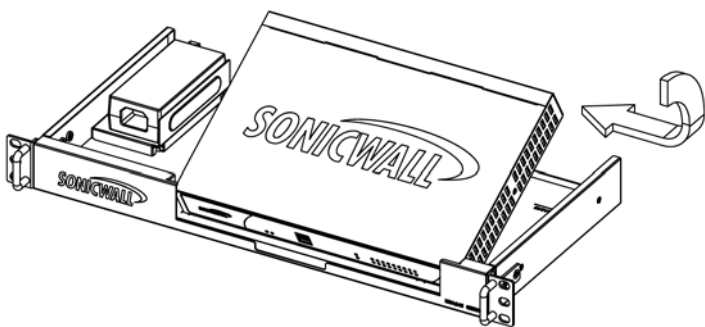
Network Security

SonicWALL NSA 240 Rackmount Tray Assembly

Step 1 – Insert Adapter Tray



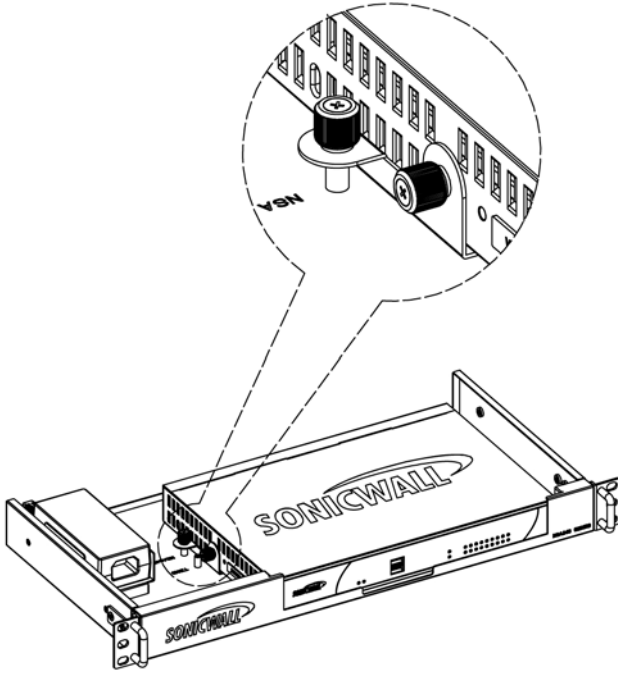
Step 2 – Insert NSA 240 Appliance



1. Align front the panel of the NSA 240 appliance and place the unit flush with the bottom of the tray.
2. Slide the appliance to the left until it is flush against the screw mounting hardware.

Installation Guide

Step 3 – Fasten Screws



1. Fasten the mounting screws until firm.

Last updated: 9/2/2009
Prepared by: PLydon