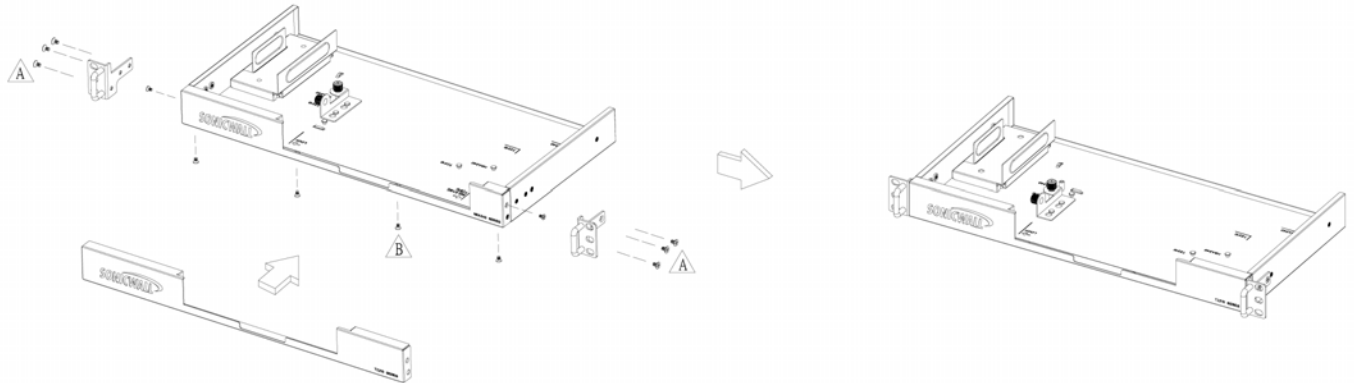


# Installation Guide

Network Security

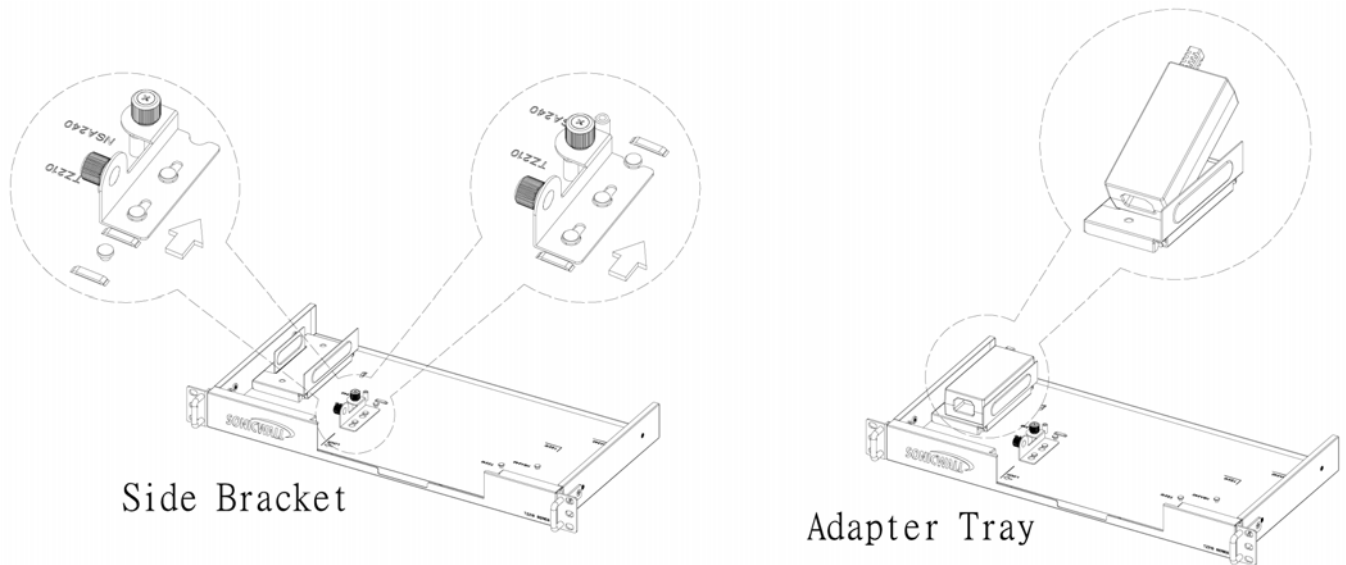
## SonicWALL TZ 210 Rackmount Tray Assembly

### Step 1 – Replace Front Panel



1. Remove the six (6) M4 screws from the rack ears (A).
2. Remove the six (6) M3 screws from the bottom and sides of the front panel (B).
3. Replace the existing front panel with the TZ 210 front panel and re-fasten all screws.

### Step 2 – Reposition Side Bracket

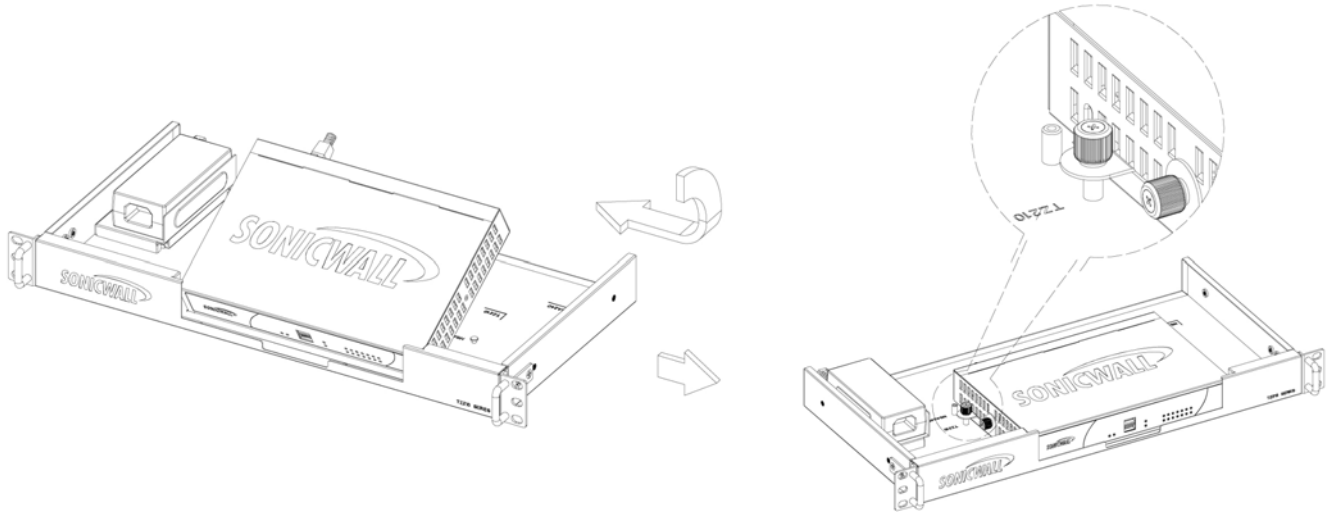


4. Un-fasten the side bracket and move it to the NSA 210 position as marked on the tray chassis.
5. Re-fasten the side bracket
6. Insert the adapter Tray

# Installation Guide

## Step 3 – Fasten Appliance

---



7. Align front the panel of the NSA 240 appliance and place the unit flush with the bottom of the tray.
8. Slide the appliance to the left until it is flush against the screw mounting hardware.
9. Fasten the mounting screws until firm.

---

Last updated: 9/2/2009  
Prepared by: PLYdon